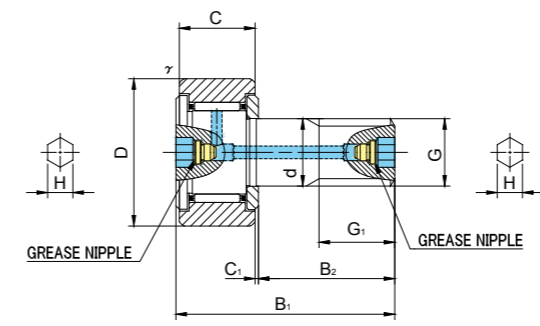




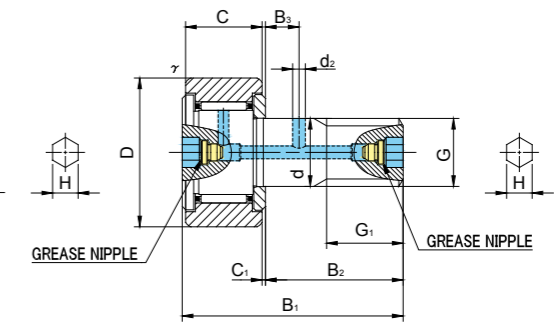
CF..MAB



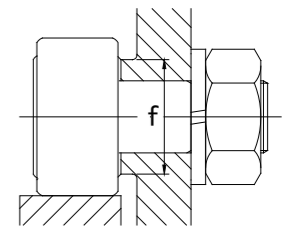
CF..VMAB



CF10(V)ABK~CF10-1(V)MAB



CF12(V)AB~CF18(V)MAB



CF..MAB TYPE

Prepacked Grease

Stud diameter (mm)	h7 tolerance	Designation				Dimensions (mm)															Basic dynamic load rating Cr N	Basic static load rating Cor N	Largest permissible load N	Limiting speed * rpm	Track load capacity		Max tightening torque N·m	Mass g (approx)
		Cylindrical outer ring		Crowned outer ring R500(CF10 ~ CF18)		D	C	d	G	G1	B1	B2	B3	C1	d2	H	r/s min	f min	Cylindrical outer ring N	Crowned outer ring N								
		Without seals	With seals	Without seals	With seals																							
10	0 -0.015	CF10MABK	CF10MUUABK	CF10MRABK	CF10MUURABK	22	12	10	M10×1	12	36	23	—	0.6	—	5	0.3	15	4 950	6 310	6 860	17 000	4 700	1 670	15	45		
		CF10VMABK	CF10VMUUABK	CF10VMRABK	CF10VMUURABK														8 740	13 340	7 450	7 500						
10	0 -0.015	CF10-1MABK	CF10-1MUUABK	CF10-1MRABK	CF10-1MUURABK	26	12	10	M10×1	12	36	23	—	0.6	—	5	0.3	15	4 950	6 310	6 860	17 000	5 490	2 060	15	60		
		CF10-1VMABK	CF10-1VMUUABK	CF10-1VMRABK	CF10-1VMUURABK														8 740	13 340	7 450	7 500						
12	0 -0.018	CF12MAB	CF12MUUAB	CF12MRAB	CF12MUURAB	30	14	12	M12×1.5	13	40	25	6	0.6	3	6	0.6	20	7 300	9 010	9 800	14 000	7 060	2 450	22	95		
		CF12VMAB	CF12VMUUAB	CF12VMRAB	CF12VMUURAB														12 350	18 120	11 270	6 000						
12	0 -0.018	CF12-1MAB	CF12-1MUUAB	CF12-1MRAB	CF12-1MUURAB	32	14	12	M12×1.5	13	40	25	6	0.6	3	6	0.6	20	7 300	9 010	9 800	14 000	7 450	2 740	22	105		
		CF12-1VMAB	CF12-1VMUUAB	CF12-1VMRAB	CF12-1VMUURAB														12 350	18 120	11 270	6 000						
16	0 -0.018	CF16MAB	CF16MUUAB	CF16MRAB	CF16MUURAB	35	18	16	M16×1.5	17	52	32.5	8	0.8	3	6	0.6	24	11 080	16 860	18 330	10 000	11 200	3 140	58	170		
		CF16VMAB	CF16VMUUAB	CF16VMRAB	CF16VMUURAB														19 020	34 610	19 800	4 500						
18	0 -0.018	CF18MAB	CF18MUUAB	CF18MRAB	CF18MUURAB	40	20	18	M18×1.5	19	58	36.5	8	0.8	3	6	1	26	13 520	23 180	25 200	8 500	14 400	3 720	87	250		
		CF18VMAB	CF18VMUUAB	CF18VMRAB	CF18VMUURAB														23 250	47 240	26 560	3 500						

CF..MAB TYPE has oil holes (grease nipple) which are prepared in the stud head and thread side, also an oil hole is prepared outer surface of stud.

* Without seals, suitable for grease lubrication. In case of oil lubrication, up to 130% of this value shall be permissible, and 70% of this value shall apply for types with seals.

TYPE	Cylindrical outer ring	Crowned outer ring
CF10,CF10-1,CF12	0/-9	0/-50
CF12-1,CF16,CF18,CF20-1	0/-11	0/-50
CF20,CF24,CF24-1,CF30	0/-13	0/-50
CF30-1,CF30-2	0/-15	0/-50

TYPE	Grease Nipple Installed	NUT Attached
All types		

