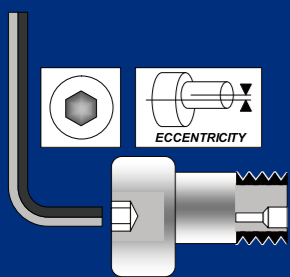


CAM FOLLOWERS

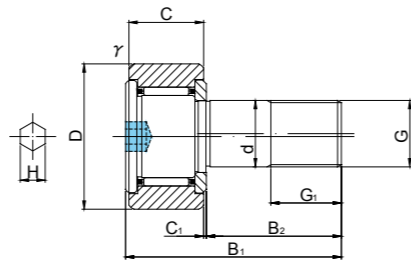
SOLID ECCENTRIC TYPE
HEXAGON SOCKET ON STUD HEAD



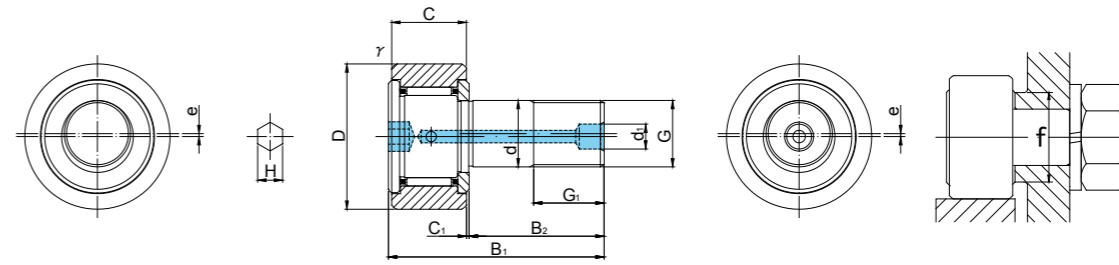
CFH..A



CFH..VA



CFH5(V)A~CFH10-1(V)A



CFH12(V)A~CFH12-1(V)A

CFH..A TYPE

Prepacked Grease

Stud diameter (mm)	Designation	Dimensions (mm)												Basic dynamic load rating	Basic static load rating	Largest permissible load	Limiting speed *	Track load capacity		Max tightening torque	Mass															
		Cylindrical outer ring				Crowned outer ring R250(CF5) R500(CF6 ~ CF12-1)				D	C	d	G					G1	B1			B2	C1	d1	H	r _s min	e	f min	Cr N	Cor N	N	rpm	Cylindrical outer ring N	Crowned outer ring N	N·m	g (approx)
		Without seals	With seals	Without seals	With seals																															
5	CFH 5A	CFH 5UUA	CFH 5RA	CFH 5UURA	13	9	5	M5×0.8	7.5	23	13		0.5	—	3	0.3	0.2	9.7	3 140	2 770	1 420	29 000	2 250	780	2	10.5										
	CFH 5VA	CFH 5VUUA	CFH 5VRA	CFH 5VUURA																																
6	CFH 6A	CFH 6UUA	CFH 6RA	CFH 6UURA	16	11	6	M6×1	8	28	16		0.6	—	3	0.3	0.25	11	3 630	3 630	2 110	25 000	3 430	1 080	3	18.5										
	CFH 6VA	CFH 6VUUA	CFH 6VRA	CFH 6VUURA																																
8	CFH 8A	CFH 8UUA	CFH 8RA	CFH 8UURA	19	11	8	M8×1.25	10	32	20		0.6	—	4	0.3	0.25	13	4 310	4 710	4 710	20 000	4 020	1 370	8	28.5										
	CFH 8VA	CFH 8VUUA	CFH 8VRA	CFH 8VUURA																																
10	CFH10A	CFH10UUA	CFH10RA	CFH10UURA	22	12	10	M10×1.25	12	36	23		0.6	—	5	0.3	0.3	15	5 390	6 860	6 860	17 000	4 700	1 670	15	45										
	CFH10VA	CFH10VUUA	CFH10VRA	CFH10VUURA																																
10	CFH10-1A	CFH10-1UUA	CFH10-1RA	CFH10-1UURA	26	12	10	M10×1.25	12	36	23		0.6	—	5	0.3	0.3	15	5 390	6 860	6 860	17 000	5 490	2 060	15	60										
	CFH10-1VA	CFH10-1VUUA	CFH10-1VRA	CFH10-1VUURA																																
12	CFH12A	CFH12UUA	CFH12RA	CFH12UURA	30	14	12	M12×1.5	13	40	25		0.6	6	6	0.6	0.4	20	7 940	9 800	9 800	14 000	7 060	2 450	22	95										
	CFH12VA	CFH12VUUA	CFH12VRA	CFH12VUURA																																
12	CFH12-1A	CFH12-1UUA	CFH12-1RA	CFH12-1UURA	32	14	12	M12×1.5	13	40	25		0.6	6	6	0.6	0.4	20	7 940	9 800	9 800	14 000	7 450	2 740	22	105										
	CFH12-1VA	CFH12-1VUUA	CFH12-1VRA	CFH12-1VUURA																																

* Without seals, suitable for grease lubrication. In case of oil lubrication, up to 130% of this value shall be permissible, and 70% of this value shall apply for types with seals.

OUTER RINGS TOLERANCE (μm)

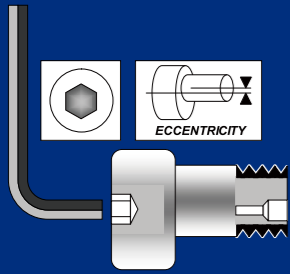
TYPE	Cylindrical outer ring	Crowned outer ring
CF5,CF6	0/-8	0/-50
CF8,CF10,CF10-1,CF12	0/-9	0/-50
CF12-1,CF16,CF18,CF20-1	0/-11	0/-50
CF20,CF24,CF24-1,CF30	0/-13	0/-50
CF30-1,CF30-2	0/-15	0/-50

ACCESSORIES

TYPE	STOP PLUG	RESIN PLUG	NUT
CF5	—	—	Attached
CF6/CF8/CF10/CF10-1	—	—	Attached
CF12/CF12-1/CF16/CF18	φ 6 Attached	φ 6 Attached	Attached
CF20/CF20-1/CF24/CF24-1/CF30/CF30-1/CF30-2	φ 8 Attached	φ 8 Attached	Attached

CAM FOLLOWERS

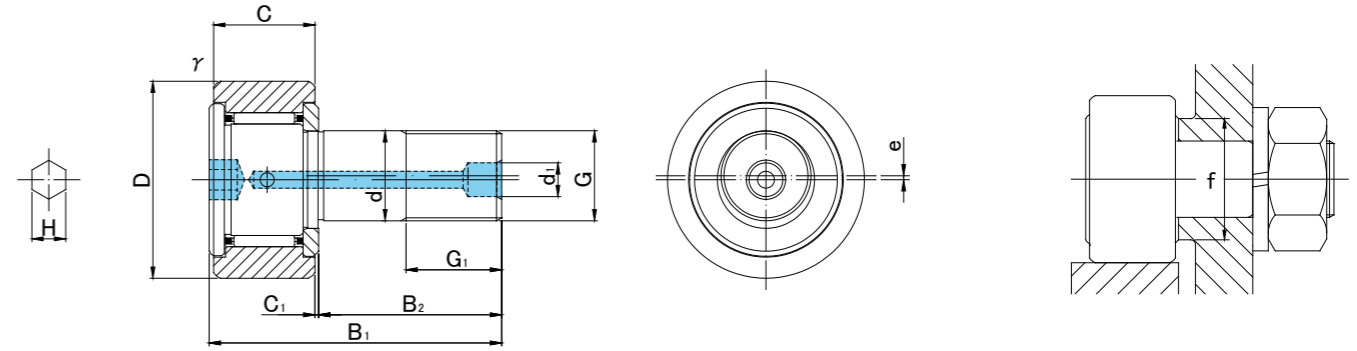
SOLID ECCENTRIC TYPE
HEXAGON SOCKET ON STUD HEAD



CFH..A



CFH..VA



CFH..A TYPE

Prepacked Grease

Stud diameter (mm)	Designation	Dimensions (mm)												Basic dynamic load rating	Basic static load rating	Largest permissible load	Limiting speed *	Track load capacity		Max tightening torque	Mass				
		Cylindrical outer ring				Crowned outer ring R250(CF5) R500(CF6 ~ CF18) R1000(CF20 ≤)				Eccentricity								Cylindrical outer ring N	Crowned outer ring N						
h7 tolerance	Without seals	With seals	Without seals	With seals	D	C	d	G	G1	B1	B2	C1	d1	H	r/min	e	f min	Cr N	Cor N	N	rpm	N	N	N-m	g (approx)
16	CFH16A	CFH16UUA	CFH16RA	CFH16UURA	35	18	16	M16×1.5	17	52	32.5	0.8	6	6	0.6	0.5	24	12 050	18 330	18 330	10 000	11 200	3 140	58	170
	CFH16VA	CFH16VUUA	CFH16VRA	CFH16VUURA														20 680	37 630	19 800	4 500				
18	CFH18A	CFH18UUA	CFH18RA	CFH18UURA	40	20	18	M18×1.5	19	58	36.5	0.8	6	6	1	0.6	26	14 700	25 200	25 200	8 500	14 400	3 720	87	250
	CFH18VA	CFH18VUUA	CFH18VRA	CFH18VUURA														25 280	51 350	26 560	3 500				
20	CFH20A	CFH20UUA	CFH20RA	CFH20UURA	52	24	20	M20×1.5	21	66	40.5	0.8	8	8	1	0.7	36	20 680	34 600	32 140	7 000	23 200	8 230	120	460
	CFH20VA	CFH20VUUA	CFH20VRA	CFH20VUURA														33 120	64 480	32 140	3 500				
20	CFH20-1A	CFH20-1UUA	CFH20-1RA	CFH20-1UURA	47	24	20	M20×1.5	21	66	40.5	0.8	8	8	1	0.7	36	20 680	34 600	32 140	7 000	21 000	7 150	120	385
	CFH20-1VA	CFH20-1VUUA	CFH20-1VRA	CFH20-1VUURA														33 120	64 480	32 140	3 500				
24	CFH24A	CFH24UUA	CFH24RA	CFH24UURA	62	29	24	M24×1.5	25	80	49.5	0.8	8	8	1	0.8	40	30 480	52 630	49 500	6 500	34 200	10 500	220	815
	CFH24VA	CFH24VUUA	CFH24VRA	CFH24VUURA														46 550	92 020	49 500	3 000				
24	CFH24-1A	CFH24-1UUA	CFH24-1RA	CFH24-1UURA	72	29	24	M24×1.5	25	80	49.5	0.8	8	8	1	0.8	40	30 480	52 630	49 500	6 500	39 800	12 900	220	1 140
	CFH24-1VA	CFH24-1VUUA	CFH24-1VRA	CFH24-1VUURA														46 550	92 020	49 500	3 000				
30	CFH30A	CFH30UUA	CFH30RA	CFH30UURA	80	35	30	M30×1.5	32	100	63	1	8	8	1	1	46	45 370	85 060	73 700	5 000	52 600	14 900	450	1 870
	CFH30VA	CFH30VUUA	CFH30VRA	CFH30VUURA														67 620	144 060	73 700	2 200				
30	CFH30-1A	CFH30-1UUA	CFH30-1RA	CFH30-1UURA	85	35	30	M30×1.5	32	100	63	1	8	8	1	1	46	45 370	85 060	73 700	5 000	56 000	16 100	450	2 030
	CFH30-1VA	CFH30-1VUUA	CFH30-1VRA	CFH30-1VUURA														67 620	144 060	73 700	2 200				
30	CFH30-2A	CFH30-2UUA	CFH30-2RA	CFH30-2UURA	90	35	30	M30×1.5	32	100	63	1	8	8	1	1	46	45 370	85 060	73 700	5 000	59 300	17 300	450	2 220
	CFH30-2VA	CFH30-2VUUA	CFH30-2VRA	CFH30-2VUURA														67 620	144 060	73 700	2 200				

* Without seals, suitable for grease lubrication. In case of oil lubrication, up to 130% of this value shall be permissible, and 70% of this value shall apply for types with seals.

OUTER RINGS TOLERANCE (μm)

TYPE	Cylindrical outer ring	Crowned outer ring
CF5,CF6	0/-8	0/-50
CF8,CF10,CF10-1,CF12	0/-9	0/-50
CF12-1,CF16,CF18,CF20-1	0/-11	0/-50
CF20,CF24,CF24-1,CF30	0/-13	0/-50
CF30-1,CF30-2	0/-15	0/-50

ACCESSORIES

TYPE	STOP PLUG	RESIN PLUG	NUT
CF5	—	—	Attached
CF6/CF8/CF10/CF10-1	—	—	Attached
CF12/CF12-1/CF16/CF18	φ 6 Attached	φ 6 Attached	Attached
CF20/CF20-1/CF24/CF24-1/CF30/CF30-1/CF30-2	φ 8 Attached	φ 8 Attached	Attached