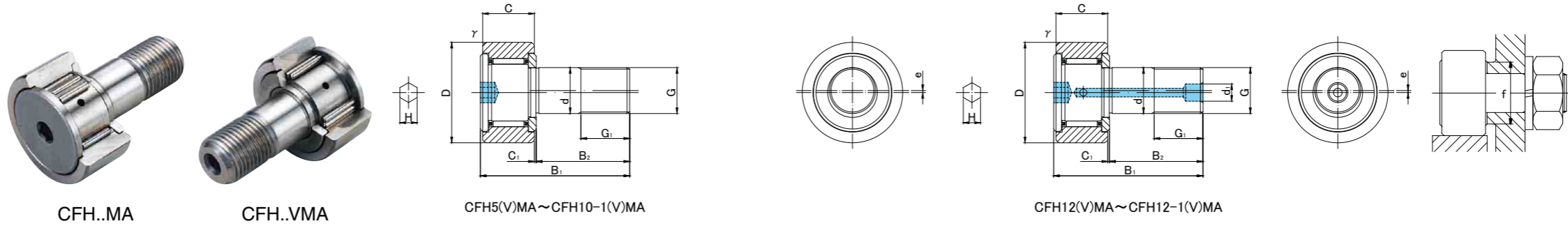


CAM FOLLOWERS
STAINLESS STEEL
 SOLID ECCENTRIC TYPE
 HEXAGON SOCKET ON STUD HEAD

SUS/INOX



CFH..MA TYPE

Prepacked Grease

Stud diameter (mm)	Designation				Dimensions (mm)														Basic dynamic load rating	Basic static load rating	Largest permissible load	Limiting speed *	Track load capacity		Max tightening torque	Mass					
	Cylindrical outer ring		Crowned outer ring R500(CF5 ~ CF12)		D	C	d	G	G1	B1	B2	C1	d1	H	r _s min	e	f min	Cr N					Cor N	N			rpm	Cylindrical outer ring N	Crowned outer ring N	N·m	g (approx)
	Without seals	With seals	Without seals	With seals																											
5	0 -0.012	CFH 5MA	CFH 5MUUA	CFH 5MRA	CFH 5MUURA	13	9	5	M5×0.8	7.5	23	13	0.5	—	2.5	0.3	0.2	9.7	2 880	2 540	1 420	29 000	2 250	780	2	10.5					
		CFH 5VMA	CFH 5VMUUA	CFH 5VMRA	CFH 5VMUURA														4 690	5 060	1 420	11 600									
6	0 -0.012	CFH 6MA	CFH 6MUUA	CFH 6MRA	CFH 6MUURA	16	11	6	M6×1	8	28	16	0.6	—	3	0.3	0.25	11	3 330	3 330	2 110	25 000	3 430	1 080	3	18.5					
		CFH 6VMA	CFH 6VMUUA	CFH 6VMRA	CFH 6VMUURA														6 400	7 840	2 110	12 000									
8	0 -0.015	CFH 8MA	CFH 8MUUA	CFH 8MRA	CFH 8MUURA	19	11	8	M8×1.25	10	32	20	0.6	—	4	0.3	0.25	13	3 960	4 330	4 710	20 000	4 020	1 370	8	28.5					
		CFH 8VMA	CFH 8VMUUA	CFH 8VMRA	CFH 8VMUURA														7 470	10 270	4 710	9 000									
10	0 -0.015	CFH10MA	CFH10MUUA	CFH10MRA	CFH10MUURA	22	12	10	M10×1.25	12	36	23	0.6	—	5	0.3	0.3	15	4 950	6 310	6 860	17 000	4 700	1 670	15	45					
		CFH10VMA	CFH10VMUUA	CFH10VMRA	CFH10VMUURA														8 740	13 340	7 450	7 500									
10	0 -0.015	CFH10-1MA	CFH10-1MUUA	CFH10-1MRA	CFH10-1MUURA	26	12	10	M10×1.25	12	36	23	0.6	—	5	0.3	0.3	15	4 950	6 310	6 860	17 000	5 490	2 060	15	60					
		CFH10-1VMA	CFH10-1VMUUA	CFH10-1VMRA	CFH10-1VMUURA														8 740	13 340	7 450	7 500									
12	0 -0.018	CFH12MA	CFH12MUUA	CFH12MRA	CFH12MUURA	30	14	12	M12×1.5	13	40	25	0.6	6	6	0.6	0.4	20	7 300	9 010	9 800	14 000	7 060	2 450	22	95					
		CFH12VMA	CFH12VMUUA	CFH12VMRA	CFH12VMUURA														12 350	18 120	11 270	6 000									
12	0 -0.018	CFH12-1MA	CFH12-1MUUA	CFH12-1MRA	CFH12-1MUURA	32	14	12	M12×1.5	13	40	25	0.6	6	6	0.6	0.4	20	7 300	9 010	9 800	14 000	7 450	2 740	22	105					
		CFH12-1VMA	CFH12-1VMUUA	CFH12-1VMRA	CFH12-1VMUURA														12 350	18 120	11 270	6 000									

* Without seals, suitable for grease lubrication. In case of oil lubrication, up to 130% of this value shall be permissible, and 70% of this value shall apply for types with seals.

OUTER RINGS TOLERANCE (µm)

TYPE	Cylindrical outer ring	Crowned outer ring
CF5M,CF6M	0/-8	0/-50
CF8M,CF10M,CF10-1M,CF12M	0/-9	0/-50
CF12-1M,CF16M,CF18M,CF20-1M	0/-11	0/-50
CF20M,CF24M,CF24-1M,CF30M	0/-13	0/-50
CF30-1M,CF30-2M	0/-15	0/-50

ACCESSORIES

TYPE	STOP PLUG	RESIN PLUG	NUT
CF3M/CF4M/CF5M	—	—	Attached
CF6M/CF8M/CF10M/CF10-1M	—	—	Attached
CF12M/CF12-1M/CF16M/CF18M	φ 6 Attached	φ 6 Attached	Attached
CF20M/CF20-1M/CF24M/CF24-1M/CF30M/CF30-1M/CF30-2M	φ 8 Attached	φ 8 Attached	Attached

CAM FOLLOWERS
STAINLESS STEEL
 SOLID ECCENTRIC TYPE
 HEXAGON SOCKET ON STUD HEAD

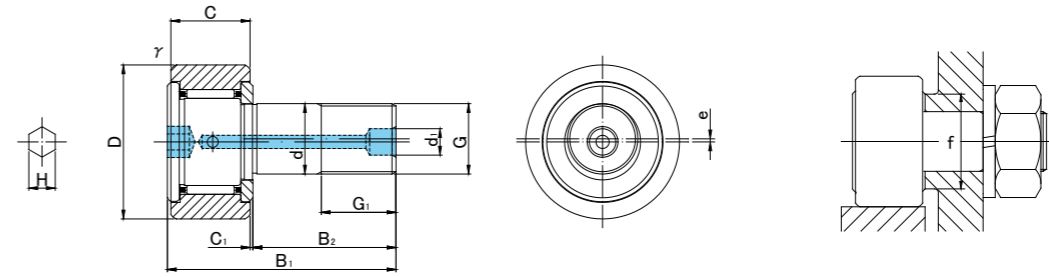
SUS/INOX



CFH..MA



CFH..VMA



CFH..MA TYPE

Prepacked Grease

Stud diameter (mm)	h7 tolerance	Designation				Dimensions (mm)														Basic dynamic load rating	Basic static load rating	Largest permissible load	Limiting speed *	Track load capacity		Max tightening torque	Mass					
		Cylindrical outer ring		Crowned outer ring R500(CF16 ~ CF18) R1000(CF20 ≤)		D	C	d	G	G1	B1	B2	C1	d1	H	r _s min	e	f min	Cr N					Cor N	N			rpm	Cylindrical outer ring N	Crowned outer ring N	N·m	g (approx)
		Without seals	With seals	Without seals	With seals																											
16	0 -0.018	CFH16MA	CFH16MUUA	CFH16MRA	CFH16MUURA	35	18	16	M16×1.5	17	52	32.5	0.8	6	6	0.6	0.5	24	11 080	16 860	18 330	10 000	11 200	3 140	58	170						
		CFH16VMA	CFH16VMUUA	CFH16VMRA	CFH16VMUURA														19 020	34 610	19 800	4 500										
18	0 -0.018	CFH18MA	CFH18MUUA	CFH18MRA	CFH18MUURA	40	20	18	M18×1.5	19	58	36.5	0.8	6	6	1	0.6	26	13 520	23 180	25 200	8 500	14 400	3 720	87	250						
		CFH18VMA	CFH18VMUUA	CFH18VMRA	CFH18VMUURA														23 250	47 240	26 560	3 500										
20	0 -0.021	CFH20MA	CFH20MUUA	CFH20MRA	CFH20MUURA	52	24	20	M20×1.5	21	66	40.5	0.8	8	8	1	0.7	36	19 020	31 830	32 140	7 000	23 200	8 230	120	460						
		CFH20VMA	CFH20VMUUA	CFH20VMRA	CFH20VMUURA														30 470	59 320	32 140	3 500										
20	0 -0.021	CFH20-1MA	CFH20-1MUUA	CFH20-1MRA	CFH20-1MUURA	47	24	20	M20×1.5	21	66	40.5	0.8	8	8	1	0.7	36	19 020	31 830	32 140	7 000	21 000	7 150	120	385						
		CFH20-1VMA	CFH20-1VMUUA	CFH20-1VMRA	CFH20-1VMUURA														30 470	59 320	32 140	3 500										
24	0 -0.021	CFH24MA	CFH24MUUA	CFH24MRA	CFH24MUURA	62	29	24	M24×1.5	25	80	49.5	0.8	8	8	1	0.8	40	28 040	48 410	49 500	6 500	34 200	10 500	220	815						
		CFH24VMA	CFH24VMUUA	CFH24VMRA	CFH24VMUURA														42 820	84 650	49 500	3 000										
24	0 -0.021	CFH24-1MA	CFH24-1MUUA	CFH24-1MRA	CFH24-1MUURA	72	29	24	M24×1.5	25	80	49.5	0.8	8	8	1	0.8	40	28 040	48 410	49 500	6 500	39 800	12 900	220	1 140						
		CFH24-1VMA	CFH24-1VMUUA	CFH24-1VMRA	CFH24-1VMUURA														42 820	84 650	49 500	3 000										
30	0 -0.021	CFH30MA	CFH30MUUA	CFH30MRA	CFH30MUURA	80	35	30	M30×1.5	32	100	63	1	8	8	1	1	46	41 740	78 250	73 700	5 000	52 600	14 900	450	1 870						
		CFH30VMA	CFH30VMUUA	CFH30VMRA	CFH30VMUURA														62 210	132 530	73 700	2 200										
30	0 -0.021	CFH30-1MA	CFH30-1MUUA	CFH30-1MRA	CFH30-1MUURA	85	35	30	M30×1.5	32	100	63	1	8	8	1	1	46	41 740	78 250	73 700	5 000	56 000	16 100	450	2 030						
		CFH30-1VMA	CFH30-1VMUUA	CFH30-1VMRA	CFH30-1VMUURA														62 210	132 530	73 700	2 200										
30	0 -0.021	CFH30-2MA	CFH30-2MUUA	CFH30-2MRA	CFH30-2MUURA	90	35	30	M30×1.5	32	100	63	1	8	8	1	1	46	41 740	78 250	73 700	5 000	59 300	17 300	450	2 220						
		CFH30-2VMA	CFH30-2VMUUA	CFH30-2VMRA	CFH30-2VMUURA														62 210	132 530	73 700	2 200										

* Without seals, suitable for grease lubrication. In case of oil lubrication, up to 130% of this value shall be permissible, and 70% of this value shall apply for types with seals.

OUTER RINGS TOLERANCE (μm)

TYPE	Cylindrical outer ring	Crowned outer ring
CF5M,CF6M	0/-8	0/-50
CF8M,CF10M,CF10-1M,CF12M	0/-9	0/-50
CF12-1M,CF16M,CF18M,CF20-1M	0/-11	0/-50
CF20M,CF24M,CF24-1M,CF30M	0/-13	0/-50
CF30-1M,CF30-2M	0/-15	0/-50

ACCESSORIES

TYPE	STOP PLUG	RESIN PLUG	NUT
CF3M/CF4M/CF5M	—	—	Attached
CF6M/CF8M/CF10M/CF10-1M	—	—	Attached
CF12M/CF12-1M/CF16M/CF18M	φ 6 Attached	φ 6 Attached	Attached
CF20M/CF20-1M/CF24M/CF24-1M/CF30M/CF30-1M/CF30-2M	φ 8 Attached	φ 8 Attached	Attached