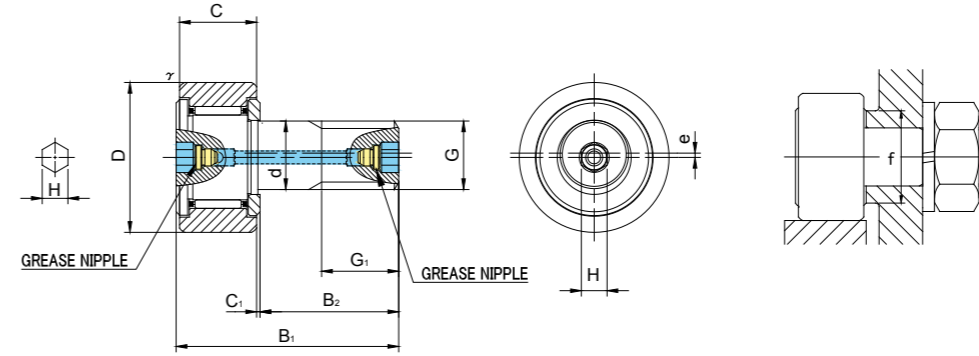


CFH..MAB



CFH..VMAB



CFH..MAB TYPE

Prepacked Grease

Stud diameter (mm)	h7 tolerance	Designation				Dimensions (mm)													Basic dynamic load rating	Basic static load rating	Largest permissible load	Limiting speed *	Track load capacity		Max tightening torque	Mass
		Cylindrical outer ring		Crowned outer ring R500(CF12 ~ CF18) R1000(CF20 ≤)		D	C	d	G	G1	B1	B2	C1	H	rs min	e	f min	Cr N					Cor N	N		
12	0 -0.018	CFH12MAB	CFH12MUAB	CFH12MRAB	CFH12MUURAB	30	14	12	M12×1.5	13	40	25	0.6	6	0.6	0.4	20	7 300	9 010	9 800	14 000	7 060	2 450	22	95	
		CFH12VMAB	CFH12VMUAB	CFH12VMRAB	CFH12VMUURAB													12 350	18 120	11 270	6 000					
12	0 -0.018	CFH12-1MAB	CFH12-1MUAB	CFH12-1MRAB	CFH12-1MUURAB	32	14	12	M12×1.5	13	40	25	0.6	6	0.6	0.4	20	7 300	9 010	9 800	14 000	7 450	2 740	22	105	
		CFH12-1VMAB	CFH12-1VMUAB	CFH12-1VMRAB	CFH12-1VMUURAB													12 350	18 120	11 270	6 000					
16	0 -0.018	CFH16MAB	CFH16MUAB	CFH16MRAB	CFH16MUURAB	35	18	16	M16×1.5	17	52	32.5	0.8	6	0.6	0.5	24	11 080	16 860	18 330	10 000	11 200	3 140	58	170	
		CFH16VMAB	CFH16VMUAB	CFH16VMRAB	CFH16VMUURAB													19 020	34 610	19 800	4 500					
18	0 -0.018	CFH18MAB	CFH18MUAB	CFH18MRAB	CFH18MUURAB	40	20	18	M18×1.5	19	58	36.5	0.8	6	1	0.6	26	13 520	23 180	25 200	8 500	14 400	3 720	87	250	
		CFH18VMAB	CFH18VMUAB	CFH18VMRAB	CFH18VMUURAB													23 250	47 240	26 560	3 500					
20	0 -0.021	CFH20MAB	CFH20MUAB	CFH20MRAB	CFH20MUURAB	52	24	20	M20×1.5	21	66	40.5	0.8	8	1	0.7	36	19 020	31 830	32 140	7 000	23 200	8 230	120	460	
		CFH20VMAB	CFH20VMUAB	CFH20VMRAB	CFH20VMUURAB													30 470	59 320	32 140	3 500					
20	0 -0.021	CFH20-1MAB	CFH20-1MUAB	CFH20-1MRAB	CFH20-1MUURAB	47	24	20	M20×1.5	21	66	40.5	0.8	8	1	0.7	36	19 020	31 830	32 140	7 000	21 000	7 150	120	385	
		CFH20-1VMAB	CFH20-1VMUAB	CFH20-1VMRAB	CFH20-1VMUURAB													30 470	59 320	32 140	3 500					

CFH..MAB TYPE has oil holes (grease nipple) which are prepared in the stud head and thread side, also an oil hole is prepared outer surface of stud.

* Without seals, suitable for grease lubrication. In case of oil lubrication, up to 130% of this value shall be permissible, and 70% of this value shall apply for types with seals.

OUTER RINGS TOLERANCE (µm)

TYPE	Cylindrical outer ring	Crowned outer ring
CF12	0/-9	0/-50
CF12-1,CF16,CF18,CF20-1	0/-11	0/-50
CF20,CF24,CF24-1,CF30	0/-13	0/-50
CF30-1,CF30-2	0/-15	0/-50

ACCESSORIES

TYPE	Grease Nipple	NUT
All types	Installed	Attached

**CAM FOLLOWERS
STAINLESS STEEL**
SOLID ECCENTRIC TYPE
HEXAGON SOCKET ON BOTH SIDES
GREASE NIPPLE INSTALLED

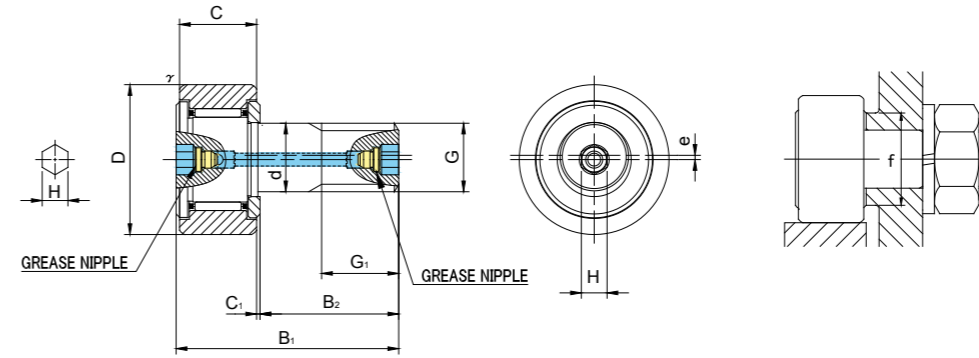
SUS/INOX



CFH..MAB



CFH..VMAB



CFH..MAB TYPE

Prepacked Grease

Stud diameter (mm)	Designation	Dimensions (mm)															Basic dynamic load rating	Basic static load rating	Largest permissible load	Limiting speed *	Track load capacity		Max tightening torque	Mass
		Cylindrical outer ring				Crowned outer ring R1000(CF24 ≤)				Other dimensions											Cylindrical outer ring N	Crowned outer ring N		
h7 tolerance	Without seals	With seals	Without seals	With seals	D	C	d	G	G1	B1	B2	C1	H	r _s min	e	f min	Cr N	Cor N	N	rpm	Cylindrical outer ring N	Crowned outer ring N	N·m	g (approx)
24	CFH24MAB	CFH24MUAB	CFH24MRAB	CFH24MUURAB	62	29	24	M24×1.5	25	80	49.5	0.8	8	1	0.8	40	28 040	48 410	49 500	6 500	34 200	10 500	220	815
	CFH24VMAB	CFH24VMUAB	CFH24VMRAB	CFH24VMUURAB													42 820	84 650	49 500	3 000				
24	CFH24-1MAB	CFH24-1MUAB	CFH24-1MRAB	CFH24-1MUURAB	72	29	24	M24×1.5	25	80	49.5	0.8	8	1	0.8	40	28 040	48 410	49 500	6 500	39 800	12 900	220	1 140
	CFH24-1VMAB	CFH24-1VMUAB	CFH24-1VMRAB	CFH24-1VMUURAB													42 820	84 650	49 500	3 000				
30	CFH30MAB	CFH30MUAB	CFH30MRAB	CFH30MUURAB	80	35	30	M30×1.5	32	100	63	1	8	1	1	46	41 740	78 250	73 700	5 000	52 600	14 900	450	1 870
	CFH30VMAB	CFH30VMUAB	CFH30VMRAB	CFH30VMUURAB													62 210	132 530	73 700	2 200				
30	CFH30-1MAB	CFH30-1MUAB	CFH30-1MRAB	CFH30-1MUURAB	85	35	30	M30×1.5	32	100	63	1	8	1	1	46	41 740	78 250	73 700	5 000	56 000	16 100	450	2 030
	CFH30-1VMAB	CFH30-1VMUAB	CFH30-1VMRAB	CFH30-1VMUURAB													62 210	132 530	73 700	2 200				
30	CFH30-2MAB	CFH30-2MUAB	CFH30-2MRAB	CFH30-2MUURAB	90	35	30	M30×1.5	32	100	63	1	8	1	1	46	41 740	78 250	73 700	5 000	59 300	17 300	450	2 220
	CFH30-2VMAB	CFH30-2VMUAB	CFH30-2VMRAB	CFH30-2VMUURAB													62 210	132 530	73 700	2 200				

CFH..MAB TYPE has oil holes (grease nipple) which are prepared in the stud head and thread side, also an oil hole is prepared outer surface of stud.

* Without seals, suitable for grease lubrication. In case of oil lubrication, up to 130% of this value shall be permissible, and 70% of this value shall apply for types with seals.

OUTER RINGS TOLERANCE (μm)

TYPE	Cylindrical outer ring	Crowned outer ring
CF12	0/-9	0/-50
CF12-1,CF16,CF18,CF20-1	0/-11	0/-50
CF20,CF24,CF24-1,CF30	0/-13	0/-50
CF30-1,CF30-2	0/-15	0/-50

ACCESSORIES

TYPE	Grease Nipple	NUT
All types	Installed	Attached