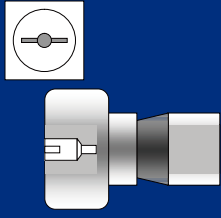


# CAM FOLLOWERS

## EASY MOUNTING TYPE

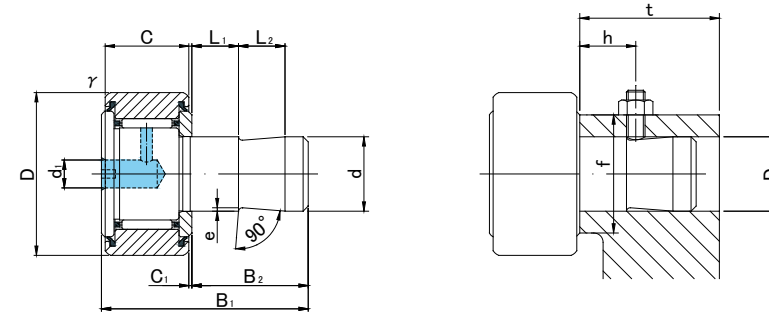
### SCREWDRIVER SLOT HEAD



CF-SFU



CF-SFU.V



## CF-SFU TYPE

Prepacked Grease

Stud diameter (mm)	Designation R500(CF6~CF18) R1000(CF20≤)	Dimensions (mm)													Mounting dimensions (mm)			Basic dynamic load rating	Basic static load rating	Largest permissible load	Track load capacity		Mass
		Cylindrical outer ring	Crowned outer ring	D	C	d	B1	B2	C1	L1	L2	d1	e	r <sub>s</sub> min	D1 Tolerance	t Min	f Min				h (Ref)	Cr N	
6	CF-SFU-6	CF-SFU-6R	16	11	6	32	20	0.6	5	10	4	0.3	0.3	6 <sup>0</sup> / <sub>+0.012</sub>	20	11	10	3 630	3 630	2 110	3 430	1 080	19
	CF-SFU-6V	CF-SFU-6VR																			3 430	1 080	
8	CF-SFU-8	CF-SFU-8R	19	11	8	32	20	0.6	5	10	4	0.5	0.3	8 <sup>0</sup> / <sub>+0.015</sub>	20	13	10	4 310	4 710	4 710	4 020	1 370	28.5
	CF-SFU-8V	CF-SFU-8VR																			4 020	1 370	
10	CF-SFU-10	CF-SFU-10R	22	12	10	33	20	0.6	5	10	4	0.5	0.3	10 <sup>0</sup> / <sub>+0.015</sub>	20	15	10	5 390	6 860	6 860	4 700	1 670	43
	CF-SFU-10V	CF-SFU-10VR																			4 700	1 670	
10	CF-SFU-10-1	CF-SFU-10-1R	26	12	10	33	20	0.6	5	10	4	0.5	0.3	10 <sup>0</sup> / <sub>+0.015</sub>	20	15	10	5 390	6 860	6 860	5 490	2 060	58.5
	CF-SFU-10-1V	CF-SFU-10-1VR																			5 490	2 060	
12	CF-SFU-12	CF-SFU-12R	30	14	12	35	20	0.6	5	10	6	1	0.6	12 <sup>0</sup> / <sub>+0.018</sub>	20	20	10	7 940	9 800	9 800	7 060	2 450	93
	CF-SFU-12V	CF-SFU-12VR																			7 060	2 450	
12	CF-SFU-12-1	CF-SFU-12-1R	32	14	12	35	20	0.6	5	10	6	1	0.6	12 <sup>0</sup> / <sub>+0.018</sub>	20	20	10	7 940	9 800	9 800	7 450	2 740	103
	CF-SFU-12-1V	CF-SFU-12-1VR																			7 450	2 740	
16	CF-SFU-16	CF-SFU-16R	35	18	16	44.5	25	0.8	10	10	6	1	0.6	16 <sup>0</sup> / <sub>+0.018</sub>	25	24	15	12 050	18 330	18 330	11 200	3 140	164
	CF-SFU-16V	CF-SFU-16VR																			11 200	3 140	
18	CF-SFU-18	CF-SFU-18R	40	20	18	46.5	25	0.8	10	10	6	1	1	18 <sup>0</sup> / <sub>+0.018</sub>	25	26	15	14 700	25 200	25 200	14 400	3 720	235
	CF-SFU-18V	CF-SFU-18VR																			14 400	3 720	
20	CF-SFU-20	CF-SFU-20R	52	24	20	50.5	25	0.8	10	10	8	1	1	20 <sup>0</sup> / <sub>+0.021</sub>	25	36	15	20 680	34 600	32 140	23 200	8 230	436
	CF-SFU-20V	CF-SFU-20VR																			23 200	8 230	
20	CF-SFU-20-1	CF-SFU-20-1R	47	24	20	50.5	25	0.8	10	10	8	1	1	20 <sup>0</sup> / <sub>+0.021</sub>	25	36	15	20 680	34 600	32 140	21 000	7 150	361
	CF-SFU-20-1V	CF-SFU-20-1VR																			21 000	7 150	

### OUTER RINGS TOLERANCE (μm)

TYPE	Cylindrical outer ring	Crowned outer ring
CF6	0/-8	0/-50
CF8,CF10,CF10-1,CF12	0/-9	0/-50
CF12-1,CF16,CF18,CF20-1	0/-11	0/-50
CF20	0/-13	0/-50

### ACCESSORIES

TYPE	STOP PLUG	RESIN PLUG
CF6/CF8/CF10/CF10-1	—	φ 4 Attached
CF12/CF12-1/CF16/CF18	φ 6 Attached	φ 6 Attached
CF20/CF20-1	φ 8 Attached	φ 8 Attached