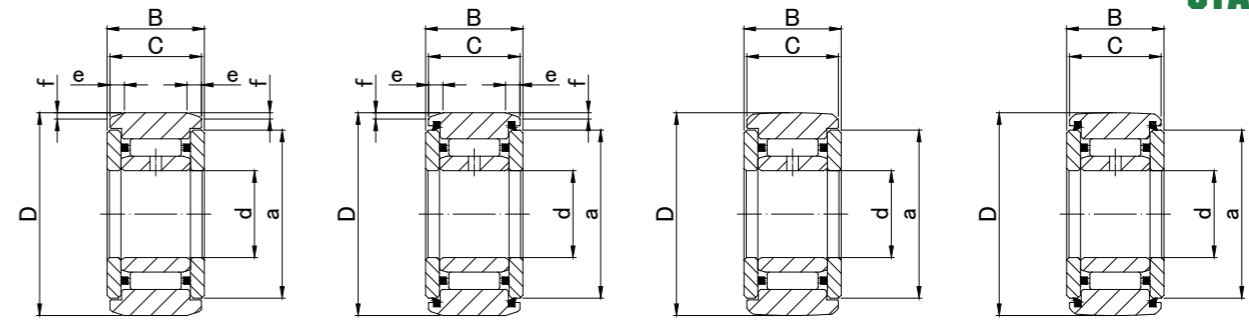


**ROLLER FOLLOWERS**  
**STAINLESS STEEL**  
SEPARABLE WITH INNER RING WITH SHIELD



NAST..MZZ



NAST..MZZ

NAST..MZZUU

NAST..MZZR

NAST..MZZUUR

**NAST..MZZ TYPE**

Prepacked Grease

Shaft Diameter (mm)	Designation				Dimensions (mm)									Basic dynamic load rating Cr N	Basic static load rating Cor N	Track load capacity		Limiting speed* rpm	Mass g (approx)
	Cylindrical outer ring		Crowned outer ring (R500)		d	D	B	C	a	e	f	r/s min	Cylindrical outer ring N			Crowned outer ring N			
	Without seals	With seals	Without seals	With seals															
<b>6</b>	<b>NAST 6MZZ</b>	<b>NAST 6MZZUU</b>	<b>NAST 6MZZR</b>	<b>NAST 6MZZUUR</b>	6 <sup>0</sup> <sub>-0.008</sub>	<b>19</b>	14	13.8	14	2.5	0.8	0.3	3 790	4 180	3 530	1 370	20 000	24.5	
<b>8</b>	<b>NAST 8MZZ</b>	<b>NAST 8MZZUU</b>	<b>NAST 8MZZR</b>	<b>NAST 8MZZUUR</b>	8 <sup>0</sup> <sub>-0.008</sub>	<b>24</b>	14	13.8	17.5	2.5	0.8	0.6	5 220	5 410	4 510	1 860	17 000	39	
<b>10</b>	<b>NAST10MZZ</b>	<b>NAST10MZZUU</b>	<b>NAST10MZZR</b>	<b>NAST10MZZUUR</b>	10 <sup>0</sup> <sub>-0.008</sub>	<b>30</b>	16	15.8	23.5	2.5	0.8	1	8 920	8 890	6 860	2 450	15 000	65	
<b>12</b>	<b>NAST12MZZ</b>	<b>NAST12MZZUU</b>	<b>NAST12MZZR</b>	<b>NAST12MZZUUR</b>	12 <sup>0</sup> <sub>-0.008</sub>	<b>32</b>	16	15.8	25.5	2.5	0.8	1	9 560	10 020	7 350	2 740	13 000	75	
<b>15</b>	<b>NAST15MZZ</b>	<b>NAST15MZZUU</b>	<b>NAST15MZZR</b>	<b>NAST15MZZUUR</b>	15 <sup>0</sup> <sub>-0.008</sub>	<b>35</b>	16	15.8	29	2.5	0.8	1	11 310	13 150	8 040	3 140	10 000	83	
<b>17</b>	<b>NAST17MZZ</b>	<b>NAST17MZZUU</b>	<b>NAST17MZZR</b>	<b>NAST17MZZUUR</b>	17 <sup>0</sup> <sub>-0.010</sub>	<b>40</b>	20	19.8	32.5	3	1	1	16 000	19 220	11 800	3 720	9 500	135	
<b>20</b>	<b>NAST20MZZ</b>	<b>NAST20MZZUU</b>	<b>NAST20MZZR</b>	<b>NAST20MZZUUR</b>	20 <sup>0</sup> <sub>-0.010</sub>	<b>47</b>	20	19.8	38	3	1	1	17 660	22 540	13 800	4 610	8 500	195	
<b>25</b>	<b>NAST25MZZ</b>	<b>NAST25MZZUU</b>	<b>NAST25MZZR</b>	<b>NAST25MZZUUR</b>	25 <sup>0</sup> <sub>-0.010</sub>	<b>52</b>	20	19.8	43	3	1	1	19 040	26 120	15 300	5 290	7 000	225	
<b>30</b>	<b>NAST30MZZ</b>	<b>NAST30MZZUU</b>	<b>NAST30MZZR</b>	<b>NAST30MZZUUR</b>	30 <sup>0</sup> <sub>-0.010</sub>	<b>62</b>	25	24.8	50.5	4	1.2	1	27 870	41 760	22 100	6 660	5 500	400	
<b>35</b>	<b>NAST35MZZ</b>	<b>NAST35MZZUU</b>	<b>NAST35MZZR</b>	<b>NAST35MZZUUR</b>	35 <sup>0</sup> <sub>-0.012</sub>	<b>72</b>	25	24.8	53.5	4	1.2	1	29 620	46 550	25 700	8 130	5 000	550	
<b>40</b>	<b>NAST40MZZ</b>	<b>NAST40MZZUU</b>	<b>NAST40MZZR</b>	<b>NAST40MZZUUR</b>	40 <sup>0</sup> <sub>-0.012</sub>	<b>80</b>	26	25.8	61.5	4	1.2	1.5	32 840	56 210	30 300	9 310	4 000	710	
<b>45</b>	<b>NAST45MZZ</b>	<b>NAST45MZZUU</b>	<b>NAST45MZZR</b>	<b>NAST45MZZUUR</b>	45 <sup>0</sup> <sub>-0.012</sub>	<b>85</b>	26	25.8	66.5	4	1.2	1.5	34 130	61 080	31 100	10 100	4 000	760	
<b>50</b>	<b>NAST50MZZ</b>	<b>NAST50MZZUU</b>	<b>NAST50MZZR</b>	<b>NAST50MZZUUR</b>	50 <sup>0</sup> <sub>-0.012</sub>	<b>90</b>	26	25.8	76	4	1.2	1.5	35 600	66 050	34 000	11 000	3 500	830	

\* Without seals, suitable for grease lubrication. In case of oil lubrication, up to 130% of this value shall be permissible, and 70% of this value shall apply for types with seals.

OUTER RINGS TOLERANCE (Outside diameter) (µm)

TYPE	Cylindrical outer ring	Crowned outer ring
NAST6M,NAST8M,NAST10M	0/-9	0/-50
NAST12M,NAST15M,NAST17M,NAST20M	0/-11	0/-50
NAST25M,NAST30M,NAST35M,NAST40M	0/-13	0/-50
NAST45M,NAST50M	0/-15	0/-50