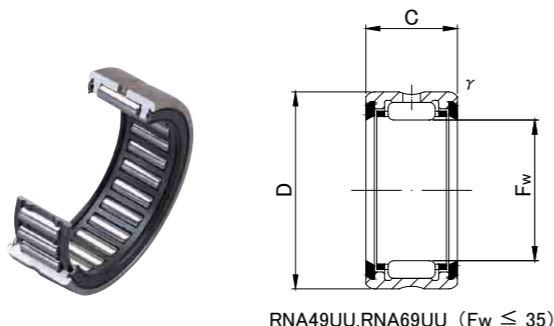
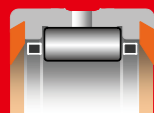
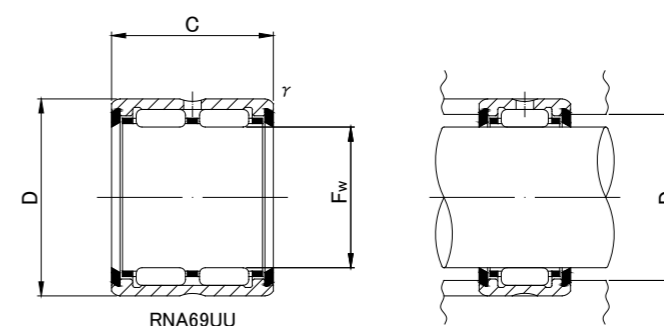


MACHINED RING NEEDLE ROLLER BEARINGS

SEALED, WITHOUT INNER RING



RNA49UU, RNA69UU (Fw ≤ 35)



RNA69UU

RNA UU

RNA UU

RNA49UU, RNA69UU, SEALED TYPE

Prepacked Grease

Shaft Diameter (mm)	Designation		Dimensions (mm)					Standard mounting dimensions (mm)	Basic dynamic load rating		Basic static load rating		Limiting speed (GREASE)	Mass	Usable bearing designation	
	RNA 49UU	RNA 69UU	Fw	D	C	r's min	Da MAX	Cr N	Cor N	rpm	g (approx)	INNER RING	WITH INNER RING			
14	RNA 4900UU	—	14 ^{+0.027} / _{+0.016}	22	13	0.3	20	8 000	8 500	14 000	16	IRZ101414	NA4900UU			
16	RNA 4901UU	—	16 ^{+0.027} / _{+0.016}	24	13	0.3	22	8 400	9 300	12 000	18	IRZ121614	NA4901UU			
	—	RNA 6901UU	16 ^{+0.027} / _{+0.016}	24	22	0.3	22	15 600	20 400	12 000	30	IRZ121623	NA6901UU			
20	RNA 4902UU	—	20 ^{+0.033} / _{+0.020}	28	13	0.3	26	9 600	11 700	9 500	22	IRZ152014	NA4902UU			
	—	RNA 6902UU	20 ^{+0.033} / _{+0.020}	28	23	0.3	26	18 400	27 100	9 500	38	IRZ152024	NA6902UU			
22	RNA 4903UU	—	22 ^{+0.033} / _{+0.020}	30	13	0.3	28	10 300	13 100	8 500	23	IRZ172214	NA4903UU			
	—	RNA 6903UU	22 ^{+0.033} / _{+0.020}	30	23	0.3	28	19 800	30 600	8 500	40	IRZ172224	NA6903UU			
25	RNA 4904UU	—	25 ^{+0.033} / _{+0.020}	37	17	0.3	35	17 900	20 500	7 500	55	IRZ202518	NA4904UU			
	—	RNA 6904UU	25 ^{+0.033} / _{+0.020}	37	30	0.3	35	33 000	44 500	7 500	96	IRZ202531	NA6904UU			
30	RNA 4905UU	—	30 ^{+0.033} / _{+0.020}	42	17	0.3	40	20 300	25 100	6 500	63	IRZ253018	NA4905UU			
	—	RNA 6905UU	30 ^{+0.033} / _{+0.020}	42	30	0.3	40	39 200	58 600	6 500	110	IRZ253031	NA6905UU			
35	RNA 4906UU	—	35 ^{+0.041} / _{+0.025}	47	17	0.3	45	21 600	28 400	5 500	71	IRZ303518	NA4906UU			
	—	RNA 6906UU	35 ^{+0.041} / _{+0.025}	47	30	0.3	45	40 100	63 100	5 500	130	IRZ303531	NA6906UU			
42	RNA 4907UU	—	42 ^{+0.041} / _{+0.025}	55	20	0.6	51	30 100	46 300	4 500	110	IRZ354221	NA4907UU			
	—	RNA 6907UU	42 ^{+0.041} / _{+0.025}	55	36	0.6	51	51 600	92 600	4 500	200	IRZ354237	NA6907UU			
48	RNA 4908UU	—	48 ^{+0.041} / _{+0.025}	62	22	0.6	58	37 200	58 300	4 000	150	IRZ404823	NA4908UU			
	—	RNA 6908UU	48 ^{+0.041} / _{+0.025}	62	40	0.6	58	63 700	116 700	4 000	270	IRZ404841	NA6908UU			
52	RNA 4909UU	—	52 ^{+0.049} / _{+0.030}	68	22	0.6	64	38 800	63 400	3 500	190	IRZ455223	NA4909UU			
	—	RNA 6909UU	52 ^{+0.049} / _{+0.030}	68	40	0.6	64	66 700	126 500	3 500	355	IRZ455241	NA6909UU			
58	RNA 4910UU	—	58 ^{+0.049} / _{+0.030}	72	22	0.6	68	41 300	71 100	3 500	180	IRZ505823	NA4910UU			
	—	RNA 6910UU	58 ^{+0.049} / _{+0.030}	72	40	0.6	68	70 800	142 200	3 500	320	IRZ505841	NA6910UU			